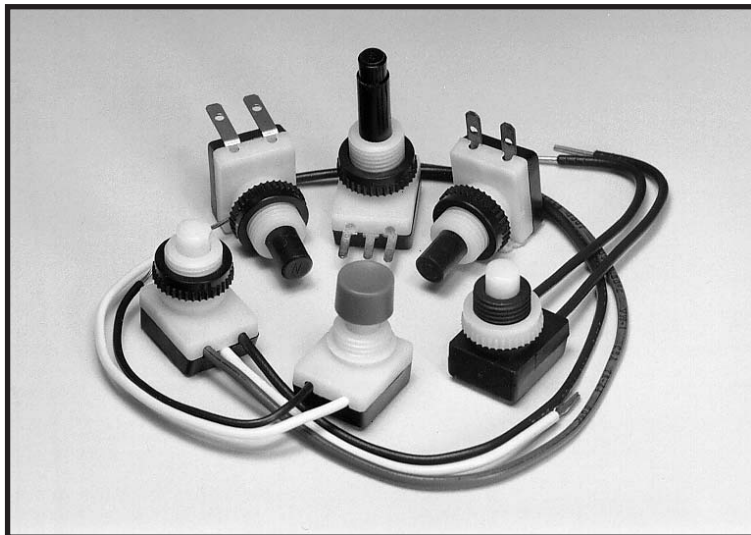




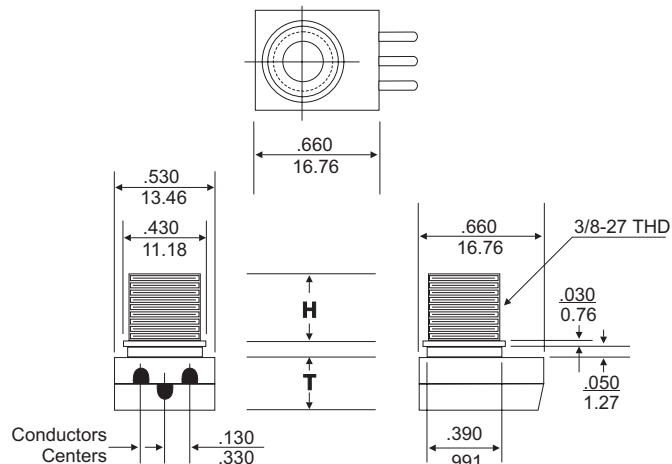
Push-Button Switches

Series J-188

Rugged, Long Life, Low Cost



Dimensions given for approximate size only. Contact factory for specific applications and panel hole sizes.
(Dimensions: Inches/mm)



Switch Configurations:

- Contact factory for body, plunger styles, available colors, and wire/terminal configurations.

Features:

- Engineering grade plastics used throughout.
- High quality, long life, low cost.

Testing:

- Contact factory for actuation force, and mechanical/electrical life.

Applications:

- Flashlights, Auto Interior Lighting, Appliances, Computers, Emergency Lights, Power Tools.

<p align="center">J-188-1</p> <p>Specifications SPST: ON / OFF Rating: <u>125VAC</u> <u>250VAC</u> <u>14VDC</u> 3A, 6A .5A, 1.0A 4A, 10A, 15A UL & CSA Recognized</p>	<p align="center">J-188-1 Momentary</p> <p>Specifications SPST: ON / OFF (Initial Momentary Contact) Rating: <u>14VDC</u> 2A, 3A UL & CSA Recognized</p>	<p align="center">J-188-2</p> <p>Specifications SPST: NOMC Rating: <u>125VAC</u> <u>14VDC</u> 2A, 3A 4A UL & CSA Recognized</p>
<p align="center">J-188-2S</p> <p>Specifications SPST: NOMC with Overtravel Rating: <u>125VAC</u> <u>14VDC</u> 2A, 3A 4A UL & CSA Recognized</p>	<p align="center">J-188-3</p> <p>Specifications SPST: NCMO Rating: <u>125VAC</u> <u>14VDC</u> 3A, 6A 10A UL & CSA Recognized</p>	<p align="center">J-188-4P</p> <p>Specifications SPST: ON 1 / ON 2 Rating: <u>125VAC</u> <u>250VAC</u> 1.5A 1.0A UL & CSA Recognized</p>
<p align="center">J-188-5</p> <p>Specifications SPDT: ON 1 / Off 2 / On 3 Rating: <u>125VAC</u> <u>250VAC</u> 1.5A .5A UL & CSA Recognized</p>	<p align="center">J-188-6</p> <p>Specifications SPDT: Normally ON 1 / Momentary OFF 1 ON 2 Typical Capacity: <u>15VDC</u> 3A UL & CSA Recognized</p>	<p align="center">J-188-7</p> <p>Specifications SPDT: ON1, ON 1 & 2, ON 2, ON 1 & 2 Typical Capacity: <u>15VDC</u> 3A UL & CSA Recognized</p>