



Switch Hardware

Series J-938, 899, 797, 961, NT

Bezels, Spacers, Boots, & Nuts

"Since 1975... serving the automotive industry and over 2,000 OEM customers"

J-938, 899

Specifications

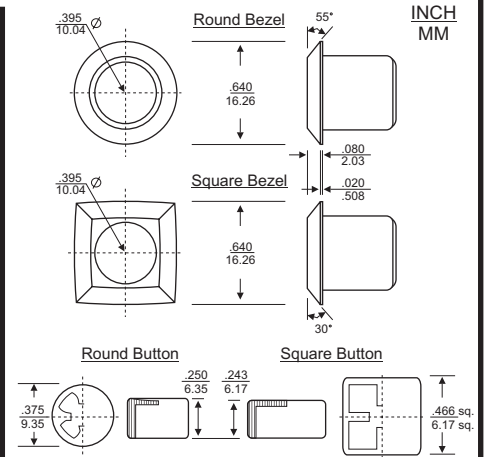
Bezels (Square/Round) **Buttons** (Square/Round)
Spacers

Mounting: Easily installed on Judco push-button switches. Accommodates panel sizes from .040" to 1.0" thick.

Materials: Acetal Resin

Colors: Multiple color combinations are available.

Options: Custom button contours & custom pad printing available.



Dimensions given for approximate size only. Contact factory for specific applications and panel hole sizes.

J-797, 961, NT

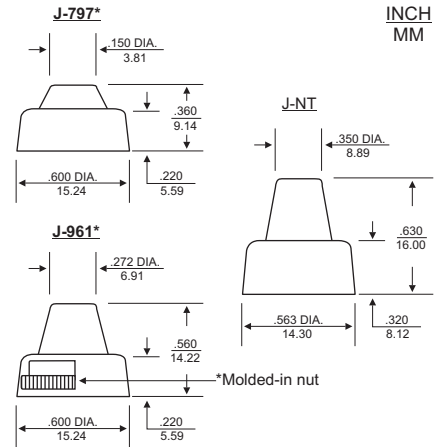
Specifications

Switch Boots

Mounting: Easily installed on Judco push-button switches. Threaded nut molded or installed in boot.

Colors: Black, Red, White, Tan, & Clear. Custom colors also available.

Materials: Boot: Kraton
Nut: Acetal Resin



Dimensions given for approximate size only. Contact factory for specific applications and panel hole sizes.

J-164, J-644

Specifications

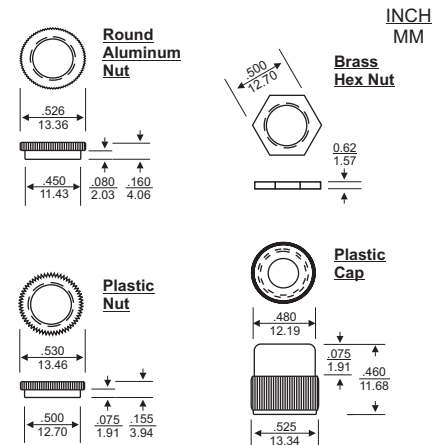
Switch Nuts

Mounting: Easily installed on Judco push-button switches.

Colors: Multiple colors available for plastic nuts.

Materials: Acetal resin, brass or aluminum.

Styles: Hex or round with knurled edge.



Dimensions given for approximate size only. Contact factory for specific applications and panel hole sizes.